



RF Components

Coaxial Circulator

470 - 550 MHz

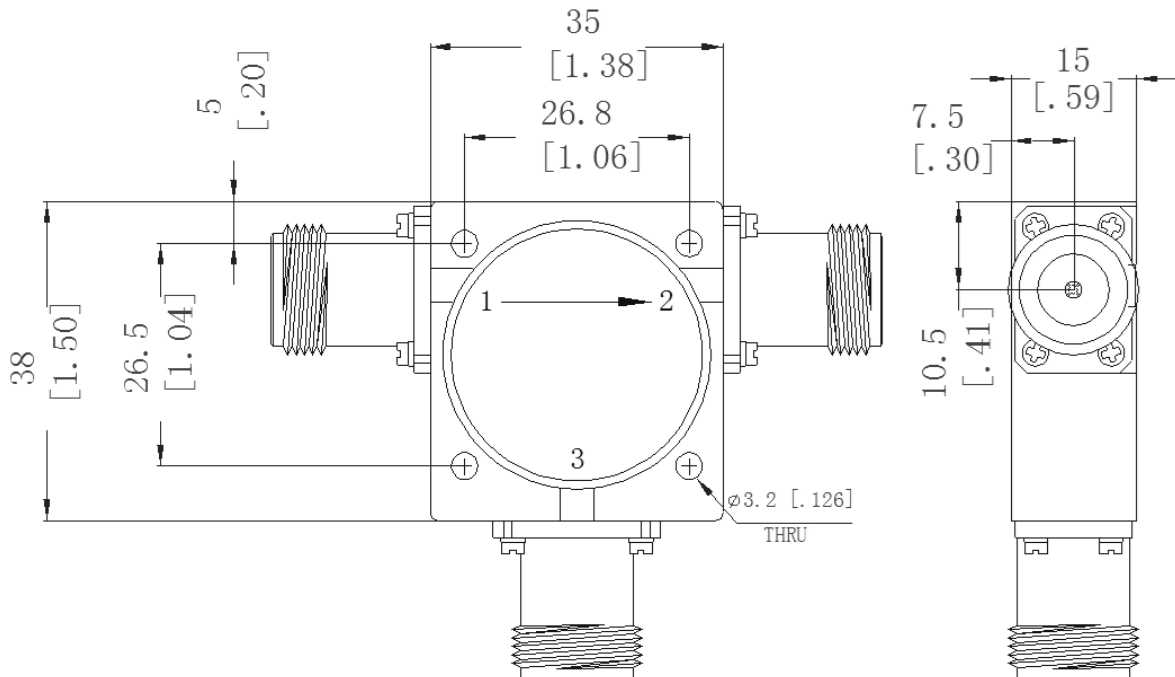
Model Number:
CIR01F4P-7525

Available with RF connector options:

- 50 Ω N-type

Specification	
Frequency Range	470 - 550 MHz
Connector Type	50 Ω N-type
Insertion Loss (dB) Max	0.45
Isolation (dB) Min	19
VSWR Max	1.25:1
Power Rating	100W Forward / 30W Reverse
Operating Temperature	-20 to +65°C
Direction	Clockwise

Dimensions (mm)



Broadcast



Marine Oil & Gas



SNG & VSAT



Satellite Teleport

